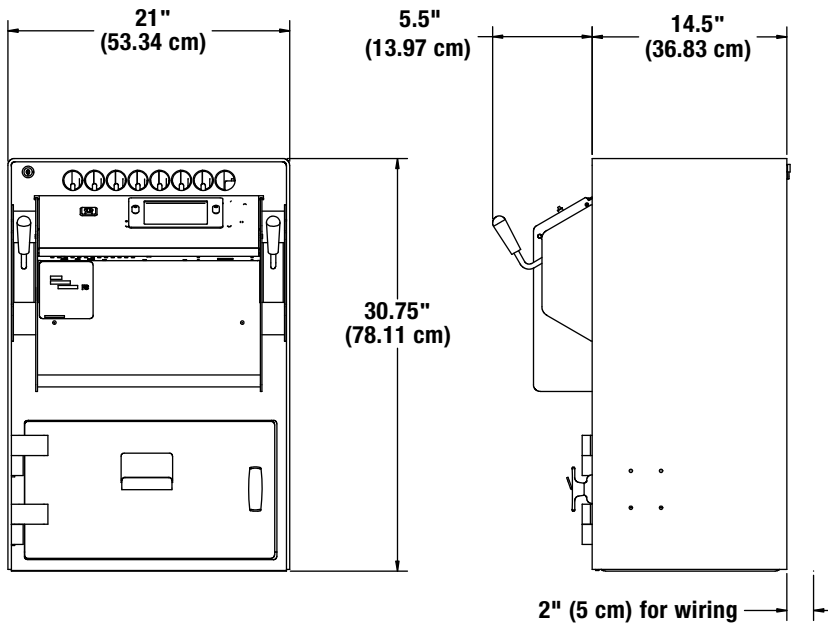


TAGC III



T A C C I I I

TACC III combines the TACC IIa platform with an expanded audit trail and reporting capabilities through a PIN based tracking system. The touchscreen interface allows managers and clerks to quickly record deposits and make change while keeping an accurate count on each day's transactions. Customizable reports allow for detailed tracking of cash amounts vended, drops, cash in system, and more. This proven TACC platform, built on the power of the Windows Operating System, will allow your business better cash security, streamlined reporting and time saved during closeouts.



SPECIFICATIONS:

- Weight:** 290 lbs. (132 kg)
- Height:** 30.75" (781 mm)
- Width:** 21" (533 mm)
- Depth:** 14.50" (368 mm) Vault only
- Depth:** 22" (559 mm) overall

FEATURES

- Windows operating system
- 1/4 Inch powder coated steel plate body and door
- Dual anti-fish Drop Chutes to the Storage Vault
- Multiple user tracking via PIN based touchscreen interface
- Stores up to 48,000 transactions in non-volatile memory
- Language interface tailored for each user (English, Spanish, French, German and Dutch currently available)
- System upgrades made easy through compact flash module

- Provides a comprehensive array of reports and summaries to track employee usage
- Keyless Vault doors
- Integrated Thermal Printer
- RoHS compliance (Lead-Free)

POWER REQUIREMENTS

120 VAC 60Hz or 220 VAC 50Hz

WARRANTY

- 1 year parts and 90 days labor (inside the US)
- 1 year parts only (outside the US)



Tidel | 2025 W. Belt Line Rd. #114 | Carrollton, TX 75006
Tel: 972.484.3358 | 800.678.7577 | sales@tidel.com
© 2014 Tidel | www.tidel.com